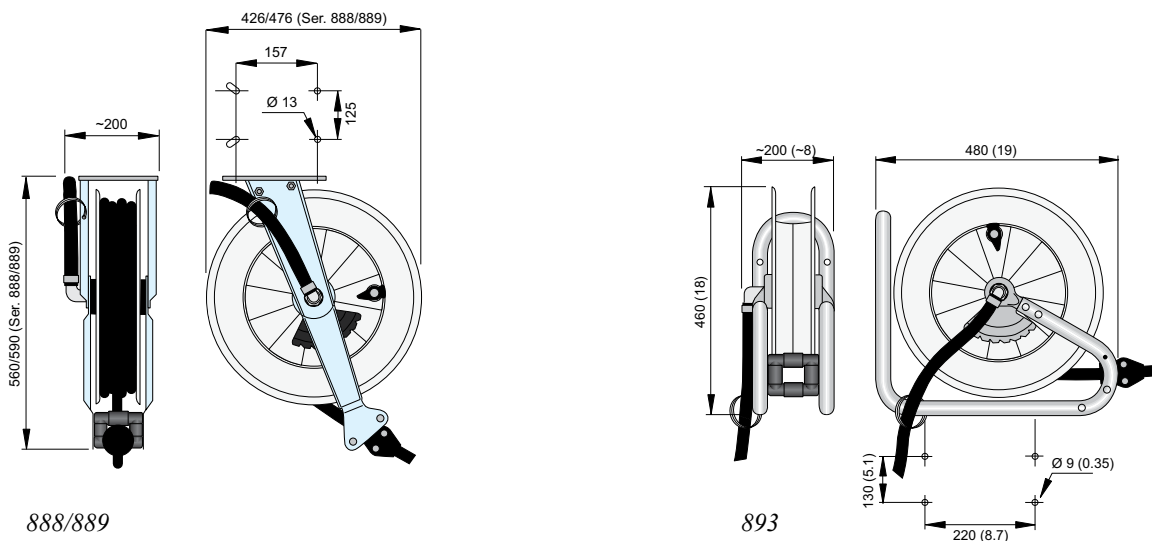


# Anti-corrosion Hose Reel Series 888/889 and 893

The anti-corrosion hose reels have a stainless steel stand, brass hub and swivel, and drum of composite material.



- Suitable for wash down applications indoors and outdoors
- All components manufactured in highly corrosion resistant materials
- Adjustable outlet minimizes friction



## Anti-corrosion Hose Reel Series 888/889

Use for	Max. working pressure, MPa (psi)	Distribution hose, Int. Ø, mm (in)	Distribution hose, Length, m	Connection hose, Int. Ø, mm (in)	Connection hose, Length, m	Hose material	Hose type (see page 21)	Weight, kg	Reel with hose Part no.	Reel without hose Part no.
Water – food grade hose	2.0 (290)	12.5 (1/2)	10	12.5 (1/2)	1	Rubber	E	11-16	30803288	30803188
Water – food grade hose	2.0 (290)	12.5 (1/2)	13+2	12.5 (1/2)	1	Rubber	E	11-16	30802089	30801989
HP water	25 (3625)	10 (3/8)	15	10 (3/8)	1	Rubber	G	11-16	30803488	30803388
HP water	25 (3625)	10 (3/8)	18	10 (3/8)	1	Rubber	G	11-16	30802289	30802189

Material recycling: 100 %

## Anti-corrosion Hose Reel Series 893

Use for	Max. working pressure, MPa (psi)	Distribution hose, Int. Ø, mm (in)	Distribution hose, Length, m	Connection hose, Int. Ø, mm (in)	Connection hose, Length, m	Hose material	Hose type (see page 21)	Weight, kg	Reel with hose Part no.	Reel without hose Part no.
Water – food grade hose	2.0 (290)	12.5 (1/2)	10	12.5 (1/2)	1	Rubber	E	11-16	30804093	30803993
HP water	25 (3625)	10 (3/8)	15	10 (3/8)	1	Rubber	G	11-16	30804293	30804193

Material recycling: 100 %

Accessories: see page 21

Product availability may differ by country